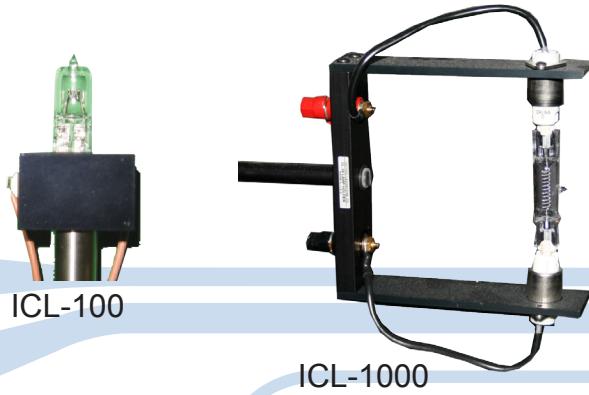


## Light Source ICL Irradiance Reference Lamps



ICL series Calibrated Lamp Standards are tungsten coiled coil filaments enclosed in quartz envelopes. Both 1000 W and 100 W lamps provide reliable spectral irradiance calibration from 350-1050nm, 350-700nm, and 350-2200nm. Lamps are seasoned and the calibration is traceable to the National Institute of Standards and Technology (NIST) scale of spectral irradiance. The lamps are provided with their respective lamp holders for easy installation and adjustment.

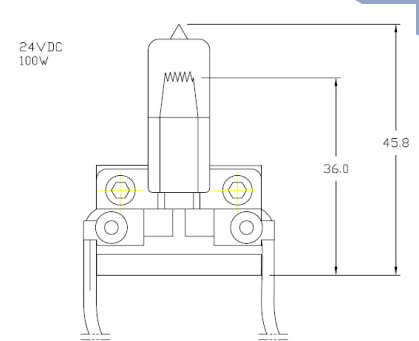
### Highlights:

- Calibration data with NIST traceability
- Calibrated data in intervals of 10 nm
- Lamp lifetime of 200 hours (100W & 1000W)
- Black anodized Lamp Holder included

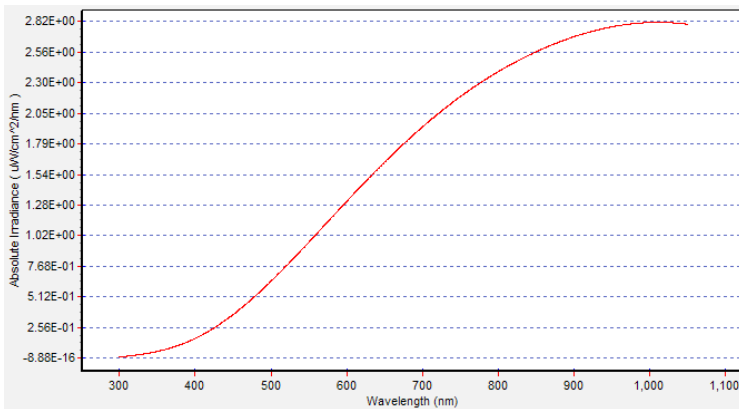
### Applications:

- Spectroradiometry
- Instrumentation Spectral Response Calibration

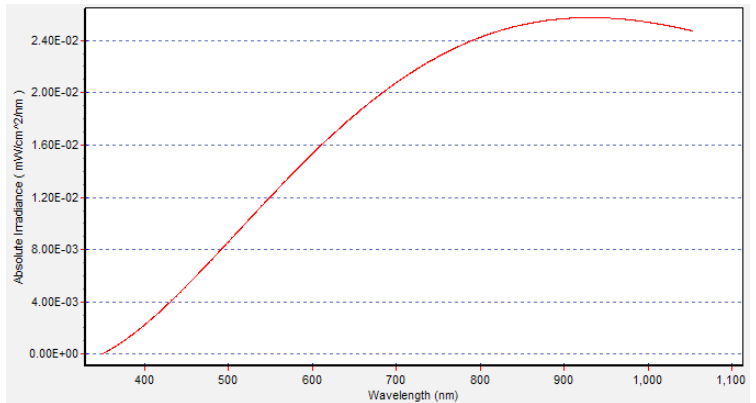
ORDER CODE	DESCRIPTION
ICL-100-350-1050	100W lamp with irradiance data from 350-1050nm, 6.0 amps
ICL-100-350-1700	100W lamp with irradiance data from 350-1700nm, 6.0 amps
ICL-1000-350-1700	1000W lamp with irradiance data from 350-1700nm, 8.0 amps
ICL-1000-350-2200	1000W lamp with irradiance data from 350-2200nm, 8.0 amps



Typical ICL-100 Spectral Irradiance Curve



Typical ICL-1000 Spectral Irradiance Curve



Note:  
 Operating Temperature of 15 - 35°C  
 Relative Humidity of 0 - 85% RH non condensing